

Pneumatic Angle Valves PN16/232PSI, PN25/355PSI

Plastic, Clamp, Position Indicator
 Dimensions to DIN32676, 3A
 Temperature Range: -20°C~180°C/-4°F~356°F
 Control Pressure: 4-6Bar

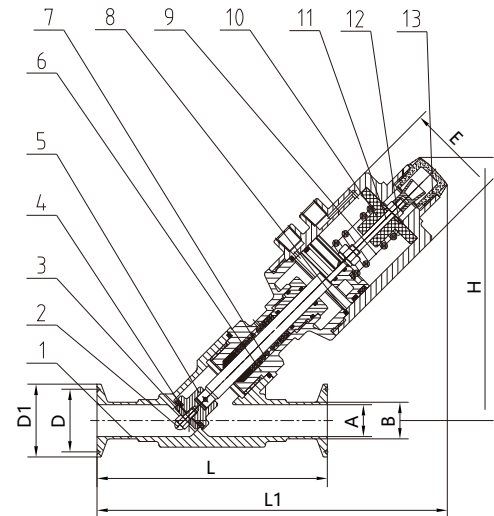


AG5696-C

Materials		
No.	Part	Specification
1	Body	ANSI 304/316L
2	Bolt	ANSI 304/316L
3	Cover Plate	ANSI 304/316L
4	Seat	PTFE
5	Disc	ANSI 304/316L
6	Bonnet	ANSI 304
7	Compression Spring	Stainless Steel Wire
8	Sealing Strip	PTFE
9	Compression Spring	Stainless Steel Wire
10	Stop Collar	Nylon
11	Hexagonal Nut	ANSI 304
12	Actuator	PA6
13	Opening Display Cap	Plexiglass

* Clamp, solder or internal thread connections are available as required.

* The control mode can be normally closed, normally open, or double acting.



Dimensions (DIN/3A)								
Size/In	A DIN/3A	B DIN/3A	D DIN/3A	D1 DIN/3A	L DIN/3A	L1 DIN/3A	H DIN/3A	E DIN/3A
½	15/-	12/-	27.5/-	34/-	130/-	180/-	137/-	64/-
¾	19/15.8	22/19.1	27.5/-	34/25.2	140/130	195/180	145	64
1	25/22.1	28/25.4	43.5	50.5	140	210/195	183	80/64
1¼	31/28.5	34/31.8	43.5	50.5	150	217	210	80
1½	37/34.8	40/38.1	43.5	50.5	180	240	260	80
2	49/47.5	52/50.8	56.5	64	195	280	300	80
2½	66/60.2	70/63.5	83.5/70.5	91/77.5	210	320	340	126/100
3	81/72.9	85/76.2	97/83.5	106/91	245	360	375	126/100
4	100/-	104/-	110/-	119/-	280/-	360/-	375/-	156/-

◆Please consult the factory for ISO and other standard sizes such as ASME BPE, BS4825, etc.